



# OPEN FRAME SOLENOIDS | Pull type

Transmotec sell a broad range of high quality solenoids in standard and customized configurations. Transmotec is the ideal supplier source especially to instrument and apparatus builders. We keep a high number of motors in stock for immediate delivery.

## Customizations include:

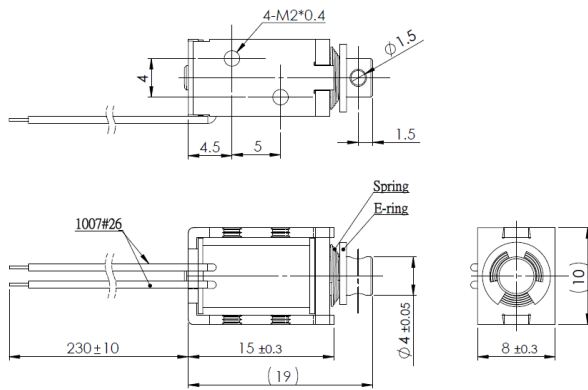
- ✓ Customized harness
- ✓ Winding configuration
- ✓ Plunger configuration
- ✓ And more...

# TABLE OF CONTENTS

<b>Model</b>	<b>Length</b>	<b>Width</b>	<b>Height</b>	<b>Page</b>
F0415L	15mm	8mm	10mm	<a href="#">1</a>
F0520L	20mm	13mm	16mm	<a href="#">2</a>
F0530L	30mm	10mm	15mm	<a href="#">3</a>
F0626L	26mm	16mm	20mm	<a href="#">4</a>
F0630L	29.5mm	19mm	16mm	<a href="#">5</a>
F0730L	30.2mm	16mm	14mm	<a href="#">6</a>
F0826L	26mm	25mm	22mm	<a href="#">7</a>
F0837L	37mm	26mm	20mm	<a href="#">8</a>
F1037L	37mm	26mm	20mm	<a href="#">9</a>
F1039L	39mm	20mm	26mm	<a href="#">10</a>
F1040L	40mm	24mm	29mm	<a href="#">11</a>
F1250L	50mm	37mm	41mm	<a href="#">12</a>
F1253L	53.5mm	27mm	30mm	<a href="#">13</a>
F1564L	64mm	38mm	30mm	<a href="#">14</a>
F1578L	78mm	44mm	51mm	<a href="#">15</a>
F1585L	85mm	35mm	40mm	<a href="#">16</a>
F1683L	84mm	52mm	58mm	<a href="#">17</a>

# F0415L (pull type)

## DRAWING (mm)



## PHOTO



## MODEL NO. DESIGNATION

F0415L - VOLTAGE

Example: F0415L-12V

## SOLENOID DATA

Duty cycle / ED (%) ▶	Continuous (100%)	Intermittent (50%)	Intermittent (25%)	Intermittent (10%)	
Watts @ 20°C ▶	0.8	1.6	3.2	8	
Maximum time in energized state (in seconds) ▶	∞	50	18	3	
Part ▼	Resistance (20°C) ± 10% (Ω) ▼	DC Volts (V) ▼			
F0415L-03V	11.2	3	4.2	6	9.5
F0415L-06V	45	6	8.5	12	19
F0415L-12V	180	12	17	24	38
F0415L-24V	720	24	34	48	76

## SOLENOID FEATURES AND STANDARD DATA

	STANDARD	CUSTOMIZATION OPTIONS
Type	Pull type DC solenoid	Push type DC solenoid
Cable	Flying wire 230mm	Length, type and connector
Voltage	3 to 24 VDC @ 100% ED	Other voltages upon request
Life time	At least 500.000 single strokes	
Plunger material	Carbon steel 12L14	
Protection class	IP00	
Insulation grade	B	
Operating temperature	-5°C ... +40°C	
Manufacturing quality standards	ISO9001:2008, ISO/TS 16949:2002	
RoHS compliance	Yes	
CE approval	No	
UL approval	No	

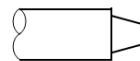
## ADDITIONAL DATA

Return spring	Yes
Weight	5.4g

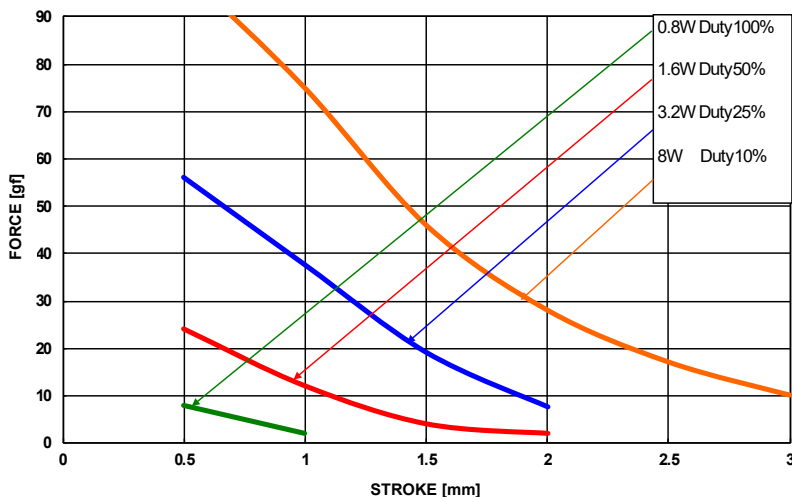
## SPRING DATA

Loading force @ 2.1mm compression	3.5g
Loading force @ 0.5mm compression	8.6g

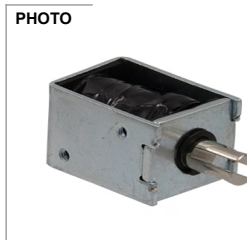
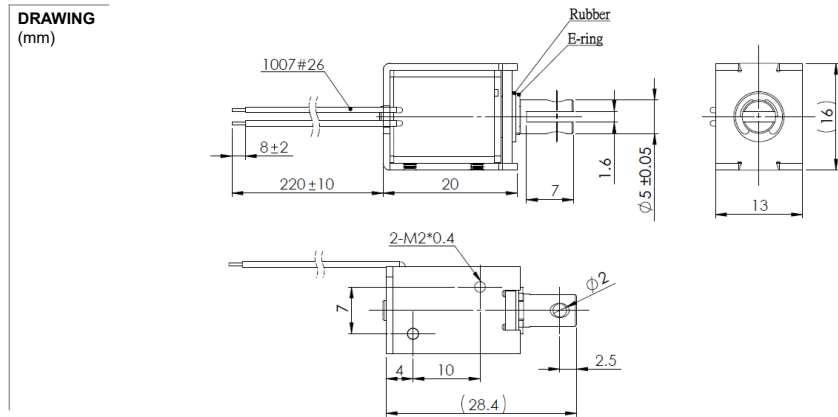
## PLUNGER PROFILE



## DIAGRAM



# F0520L (pull type)



**MODEL NO. DESIGNATION**

F0520L - VOLTAGE

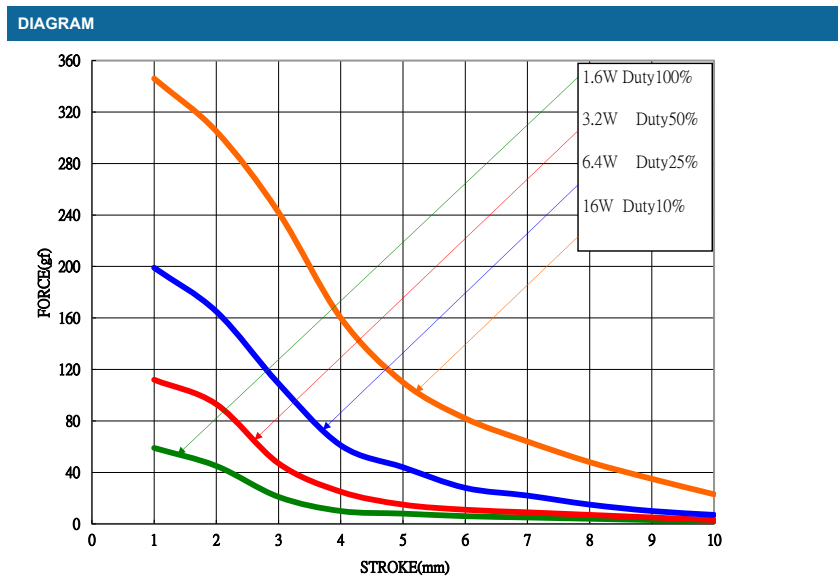
Example: F0520L-12V

SOLENOID DATA				
Duty cycle / ED (%) ▶	Continuous (100%)	Intermittent (50%)	Intermittent (25%)	Intermittent (10%)
Watts @ 20°C ▶	1.6	3.2	6.4	16
Maximum time in energized state (in seconds) ▶	∞	55	19	3
Part ▼	Resistance (20°C) ± 10% (Ω) ▼	DC Volts (V) ▼		
F0520L-06V	23	6	8.5	12
F0520L-12V	90	12	17	24
F0520L-24V	360	24	34	48

SOLENOID FEATURES AND STANDARD DATA		
	STANDARD	CUSTOMIZATION OPTIONS
Type	Pull type DC solenoid	Push type DC solenoid
Cable	Flying wire 230mm	Length, type and connector
Voltage	6 to 24 VDC @ 100% ED	Other voltages upon request
Life time	At least 500.000 single strokes	
Plunger material	Carbon steel 12L14	
Protection class	IP00	
Insulation grade	B	
Operating temperature	-5°C ... +40°C	
Manufacturing quality standards	ISO9001:2008, ISO/TS 16949:2002	
RoHS compliance	Yes	
CE approval	No	
UL approval	No	

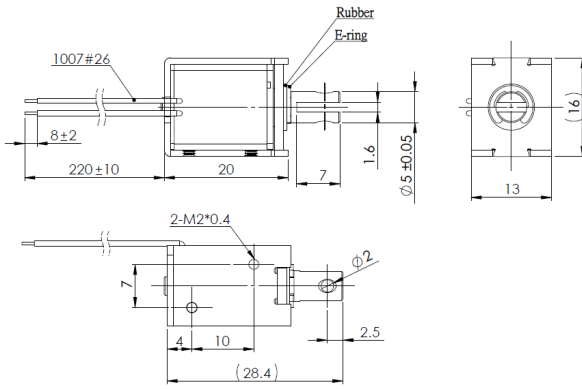
ADDITIONAL DATA	
Return spring	Yes
Weight	18g

SPRING DATA	
Loading force @ 3mm compression	18g



# F0530L (pull type)

## DRAWING (mm)



## PHOTO



## MODEL NO. DESIGNATION

F0530L - VOLTAGE

Example: F0530L-12V

## SOLENOID DATA

Duty cycle / ED (%) ▶	Continuous (100%)	Intermittent (50%)	Intermittent (25%)	Intermittent (10%)
Watts @ 20°C ▶	1.7	3.4	6.8	17
Maximum time in energized state (in seconds) ▶	∞	50	18	2

Part ▼	Resistance (20°C) ± 10% (Ω) ▼	DC Volts (V) ▼			
F0530L-06V	21.2	6	8.5	12	19
F0530L-12V	84.7	12	17	24	38
F0530L-24V	339	24	34	48	76

## SOLENOID FEATURES AND STANDARD DATA

	STANDARD	CUSTOMIZATION OPTIONS
Type	Pull type DC solenoid	Push type DC solenoid
Cable	Flying wire 230mm	Length, type and connector
Voltage	6 to 24 VDC @ 100% ED	Other voltages upon request
Life time	At least 500.000 single strokes	
Plunger material	Carbon steel 12L14	
Protection class	IP00	
Insulation grade	B	
Operating temperature	-5°C ... +40°C	
Manufacturing quality standards	ISO9001:2008, ISO/TS 16949:2002	
RoHS compliance	Yes	
CE approval	No	
UL approval	No	

## ADDITIONAL DATA

Return spring	Yes
Weight	23g

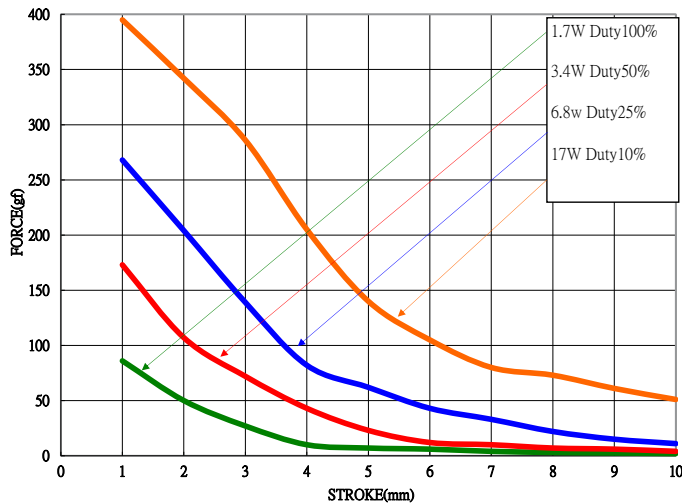
## SPRING DATA

Loading force @ 3mm compression	18g
---------------------------------	-----

## PLUNGER PROFILE

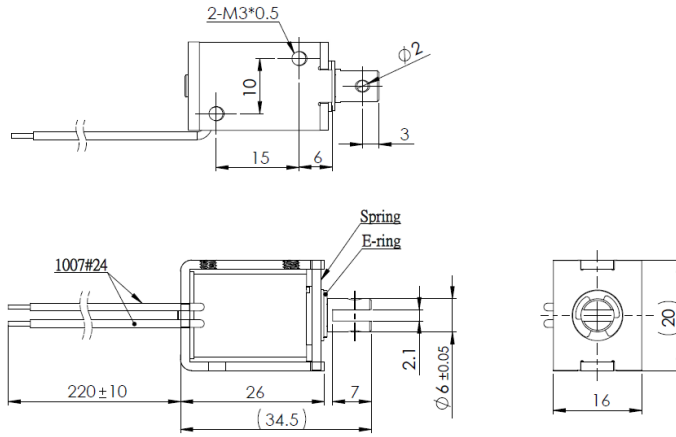


## DIAGRAM



# F0626L (pull type)

## DRAWING (mm)



## PHOTO



## MODEL NO. DESIGNATION

F0626L - VOLTAGE  
Example: F0626L-12V

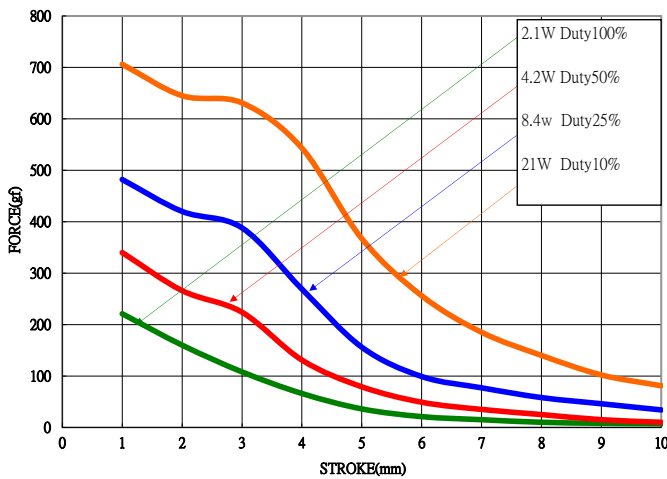
SOLENOID DATA				
Duty cycle / ED (%) ▶	Continuous (100%)	Intermittent (50%)	Intermittent (25%)	Intermittent (10%)
Watts @ 20°C ▶	2.1	4.2	8.4	21
Maximum time in energized state (in seconds) ▶	∞	55	19	3
Part ▼	Resistance (20°C) ± 10% (Ω) ▼	DC Volts (V) ▼		
F0626L-06V	17.1	6	8.5	12
F0626L-12V	69	12	17	24
F0626L-24V	339	24	34	48

SOLENOID FEATURES AND STANDARD DATA		
	STANDARD	CUSTOMIZATION OPTIONS
Type	Pull type DC solenoid	Push type DC solenoid
Cable	Flying wire 230mm	Length, type and connector
Voltage	6 to 24 VDC @ 100% ED	Other voltages upon request
Life time	At least 500.000 single strokes	
Plunger material	Carbon steel 12L14	
Protection class	IP00	
Insulation grade	B	
Operating temperature	-5°C ... +40°C	
Manufacturing quality standards	ISO9001:2008, ISO/TS 16949:2002	
RoHS compliance	Yes	
CE approval	No	
UL approval	No	

ADDITIONAL DATA	
Return spring	Yes
Weight	43g
SPRING DATA	
Loading force @ 1mm compression	30g

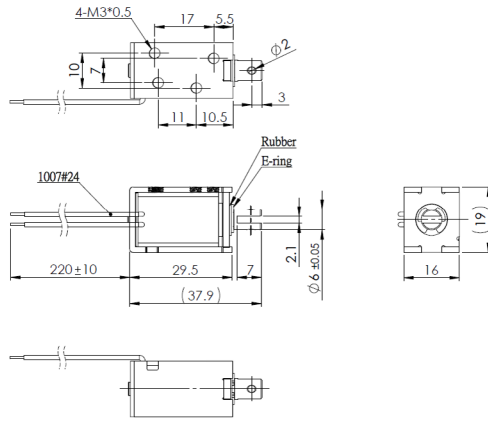


## DIAGRAM



# F0630L (pull type)

## DRAWING (mm)



## PHOTO



## MODEL NO. DESIGNATION

F0630L - VOLTAGE

Example: F0630L-12V

## SOLENOID DATA

Duty cycle / ED (%) ▶	Continuous (100%)	Intermittent (50%)	Intermittent (25%)	Intermittent (10%)
Watts @ 20°C ▶	2.4	4.8	9.6	24
Maximum time in energized state (in seconds) ▶	∞	55	19	3

Part ▼	Resistance (20°C) ± 10% (Ω) ▼	DC Volts (V) ▼			
F0630L-06V	15	6	8.5	12	19
F0630L-12V	60	12	17	24	38
F0630L-24V	240	24	34	48	76

## SOLENOID FEATURES AND STANDARD DATA

	STANDARD	CUSTOMIZATION OPTIONS
Type	Pull type DC solenoid	Push type DC solenoid
Cable	Flying wire 230mm	Length, type and connector
Voltage	6 to 24 VDC @ 100% ED	Other voltages upon request
Life time	At least 500.000 single strokes	
Plunger material	Carbon steel 12L14	
Protection class	IP00	
Insulation grade	B	
Operating temperature	-5°C ... +40°C	
Manufacturing quality standards	ISO9001:2008, ISO/TS 16949:2002	
RoHS compliance	Yes	
CE approval	No	
UL approval	No	

## ADDITIONAL DATA

Return spring	Yes
Weight	42g

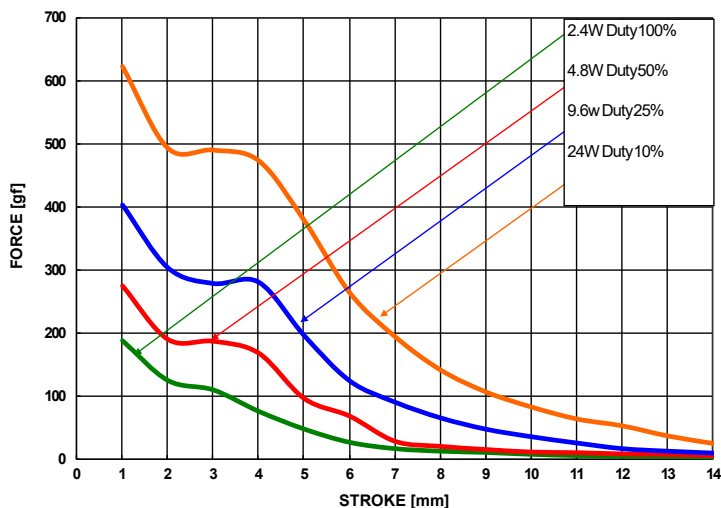
## SPRING DATA

Loading force @ 1mm compression	30g
---------------------------------	-----

## PLUNGER PROFILE

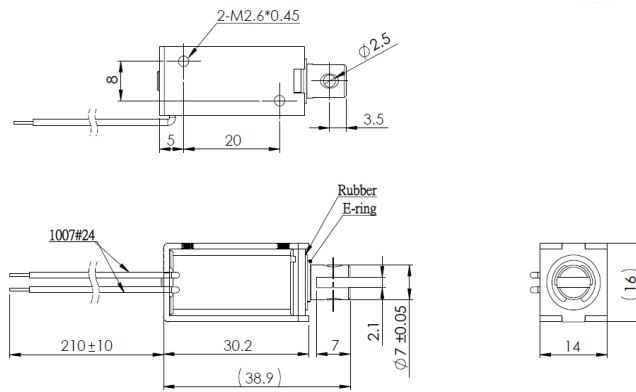


## DIAGRAM



# F0730L (pull type)

## DRAWING (mm)



## PHOTO



## MODEL NO. DESIGNATION

F0730L - VOLTAGE

Example: F0730L-12V

## SOLENOID DATA

Duty cycle / ED (%) ▶	Continuous (100%)	Intermittent (50%)	Intermittent (25%)	Intermittent (10%)
Watts @ 20°C ▶	2.2	4.4	8.8	22
Maximum time in energized state (in seconds) ▶	∞	55	19	3

Part ▼	Resistance (20°C) ± 10% (Ω) ▼		DC Volts (V) ▼		
	F0730L-06V	16.4	6	8.5	12
F0730L-12V	65.5	12	17	24	38
F0730L-24V	262	24	34	48	76

## SOLENOID FEATURES AND STANDARD DATA

	STANDARD	CUSTOMIZATION OPTIONS
Type	Pull type DC solenoid	Push type DC solenoid
Cable	Flying wire 230mm	Length, type and connector
Voltage	6 to 24 VDC @ 100% ED	Other voltages upon request
Life time	At least 500.000 single strokes	
Plunger material	Carbon steel 12L14	
Protection class	IP00	
Insulation grade	B	
Operating temperature	-5°C ... +40°C	
Manufacturing quality standards	ISO9001:2008, ISO/TS 16949:2002	
RoHS compliance	Yes	
CE approval	No	
UL approval	No	

## ADDITIONAL DATA

Return spring	Yes
Weight	33g

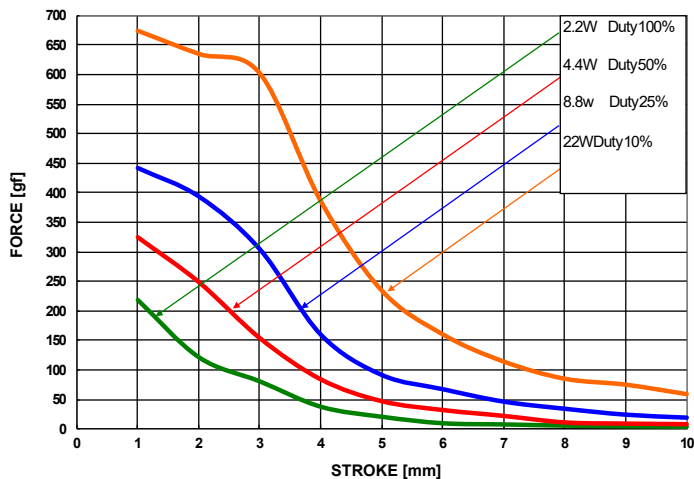
## SPRING DATA

Loading force @ 1mm compression	93 ± 5g
---------------------------------	---------

## PLUNGER PROFILE

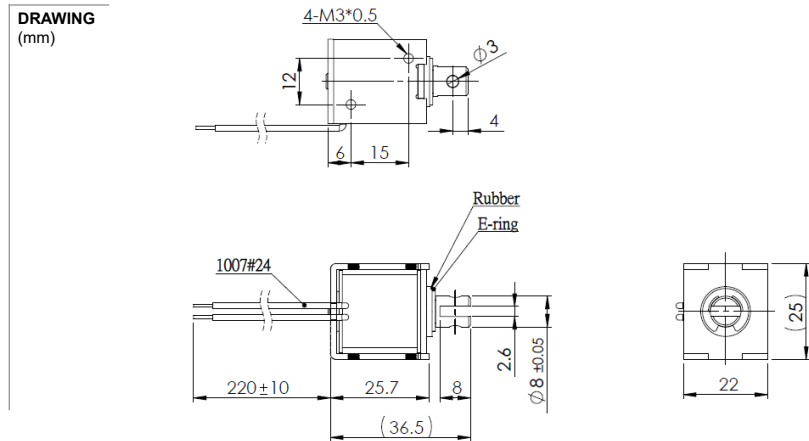


## DIAGRAM





# F0826L (pull type)



**MODEL NO. DESIGNATION**

F0826L - VOLTAGE

Example: F0826L-12V

SOLENOID DATA				
Duty cycle / ED (%) ▶	Continuous (100%)	Intermittent (50%)	Intermittent (25%)	Intermittent (10%)
Watts @ 20°C ▶	2.8	5.6	11.2	28
Maximum time in energized state (in seconds) ▶	∞	100	36	7
Part ▼	Resistance (20°C) ± 10% (Ω) ▼	DC Volts (V) ▼		
F0826L-06V	12.9	6	8.5	12
F0826L-12V	51.4	12	17	24
F0826L-24V	206	24	34	48

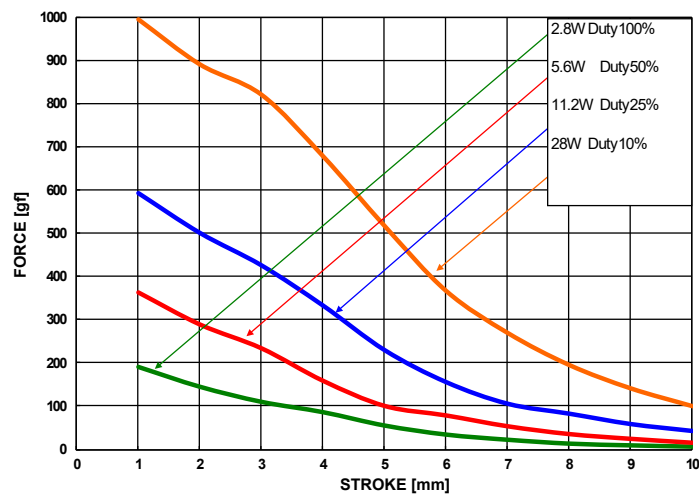
SOLENOID FEATURES AND STANDARD DATA		
	STANDARD	CUSTOMIZATION OPTIONS
Type	Pull type DC solenoid	Push type DC solenoid
Cable	Flying wire 230mm	Length, type and connector
Voltage	6 to 24 VDC @ 100% ED	Other voltages upon request
Life time	At least 500.000 single strokes	
Plunger material	Carbon steel 12L14	
Protection class	IP00	
Insulation grade	B	
Operating temperature	-5°C ... +40°C	
Manufacturing quality standards	ISO9001:2008, ISO/TS 16949:2002	
RoHS compliance	Yes	
CE approval	No	
UL approval	No	

ADDITIONAL DATA	
Return spring	Yes
Weight	66g

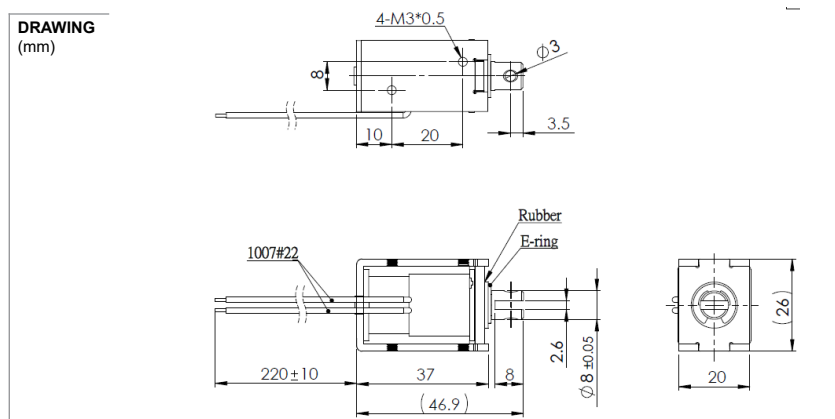
SPRING DATA	
Loading force @ 3mm compression	78 ± 5g



**DIAGRAM**



# F0837L (pull type)



**MODEL NO. DESIGNATION**

F0837L - VOLTAGE

Example: F0837L-12V

**SOLENOID DATA**

Duty cycle / ED (%) ▶	Continuous (100%)	Intermittent (50%)	Intermittent (25%)	Intermittent (10%)
Watts @ 20°C ▶	4	8	16	40
Maximum time in energized state (in seconds) ▶	∞	100	36	7

Part ▼	Resistance (20°C) ± 10% (Ω) ▼	DC Volts (V) ▼			
F0837L-06V	9	6	8.5	12	19
F0837L-12V	36	12	17	24	38
F0837L-24V	144	24	34	48	76

**SOLENOID FEATURES AND STANDARD DATA**

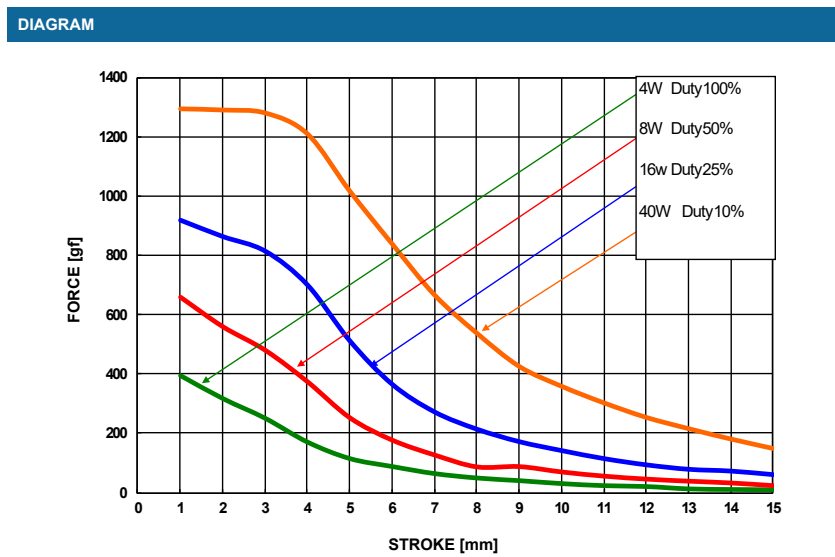
	STANDARD	CUSTOMIZATION OPTIONS
Type	Pull type DC solenoid	Push type DC solenoid
Cable	Flying wire 230mm	Length, type and connector
Voltage	6 to 24 VDC @ 100% ED	Other voltages upon request
Life time	At least 500.000 single strokes	
Plunger material	Carbon steel 12L14	
Protection class	IP00	
Insulation grade	B	
Operating temperature	-5°C ... +40°C	
Manufacturing quality standards	ISO9001:2008, ISO/TS 16949:2002	
RoHS compliance	Yes	
CE approval	No	
UL approval	No	

**ADDITIONAL DATA**

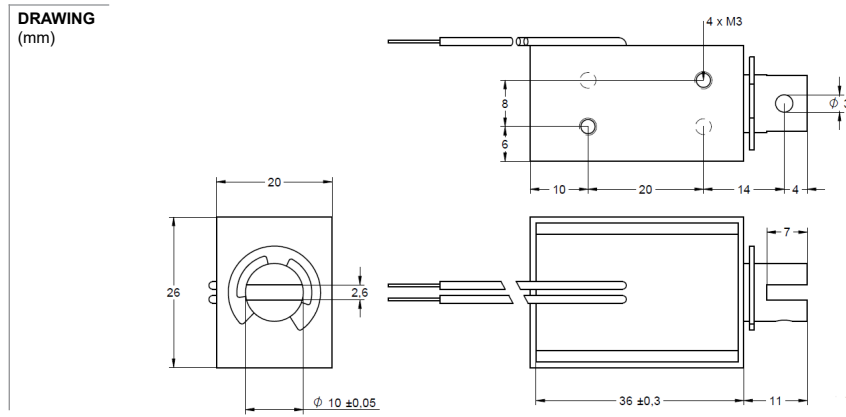
Return spring	Yes
Weight	96g

**SPRING DATA**

Loading force @ 5mm compression	48 ± 5g
---------------------------------	---------



# F1037L (pull type)



**PHOTO**



**MODEL NO. DESIGNATION**

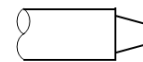
F1037L - VOLTAGE  
 Example: F1037L-12V

SOLENOID DATA					
Duty cycle / ED (%) ▶	Continuous (100%)	Intermittent (50%)	Intermittent (25%)	Intermittent (10%)	
Watts @ 20°C ▶	4	8	16	40	
Maximum time in energized state (in seconds) ▶	∞	100	36	7	
Part ▼	Resistance (20°C) ± 10% (Ω) ▼	DC Volts (V) ▼			
F1037L-06V	9	6	8.5	12	19
F1037L-12V	36	12	17	24	38
F1037L-24V	144	24	34	48	76

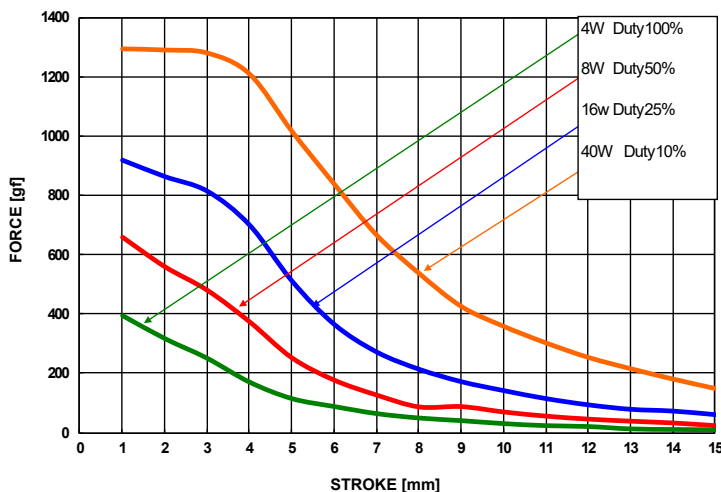
SOLENOID FEATURES AND STANDARD DATA		
	STANDARD	CUSTOMIZATION OPTIONS
Type	Pull type DC solenoid	Push type DC solenoid
Cable	Flying wire 230mm	Length, type and connector
Voltage	6 to 24 VDC @ 100% ED	Other voltages upon request
Life time	At least 500.000 single strokes	
Plunger material	Carbon steel 12L14	
Protection class	IP00	
Insulation grade	B	
Operating temperature	-5°C ... +40°C	
Manufacturing quality standards	ISO9001:2008, ISO/TS 16949:2002	
RoHS compliance	Yes	
CE approval	No	
UL approval	No	

ADDITIONAL DATA	
Return spring	Yes
Weight	96g

**PLUNGER PROFILE**

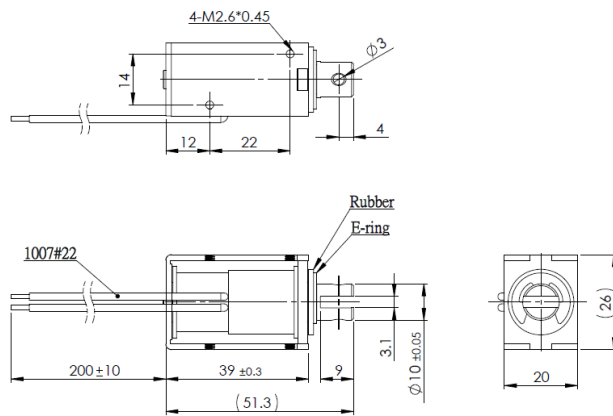


**DIAGRAM**



# F1039L (pull type)

## DRAWING (mm)



## PHOTO



## MODEL NO. DESIGNATION

F1039L - VOLTAGE  
Example: F1039L-12V

## SOLENOID DATA

Duty cycle / ED (%) ▶	Continuous (100%)	Intermittent (50%)	Intermittent (25%)	Intermittent (10%)	
Watts @ 20°C ▶	3.8	7.6	15.2	38	
Maximum time in energized state (in seconds) ▶	∞	140	50	9	
Part ▼	Resistance (20°C) ± 10% (Ω) ▼	DC Volts (V) ▼			
F1039L-06V	9.5	6	8.5	12	19
F1039L-12V	38	12	17	24	38
F1039L-24V	152	24	34	48	76

## SOLENOID FEATURES AND STANDARD DATA

	STANDARD	CUSTOMIZATION OPTIONS
Type	Pull type DC solenoid	Push type DC solenoid
Cable	Flying wire 230mm	Length, type and connector
Voltage	6 to 24 VDC @ 100% ED	Other voltages upon request
Life time	At least 500.000 single strokes	
Plunger material	Carbon steel 12L14	
Protection class	IP00	
Insulation grade	B	
Operating temperature	-5°C ... +40°C	
Manufacturing quality standards	ISO9001:2008, ISO/TS 16949:2002	
RoHS compliance	Yes	
CE approval	No	
UL approval	No	

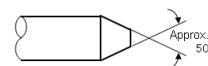
## ADDITIONAL DATA

Return spring	Yes
Weight	110g

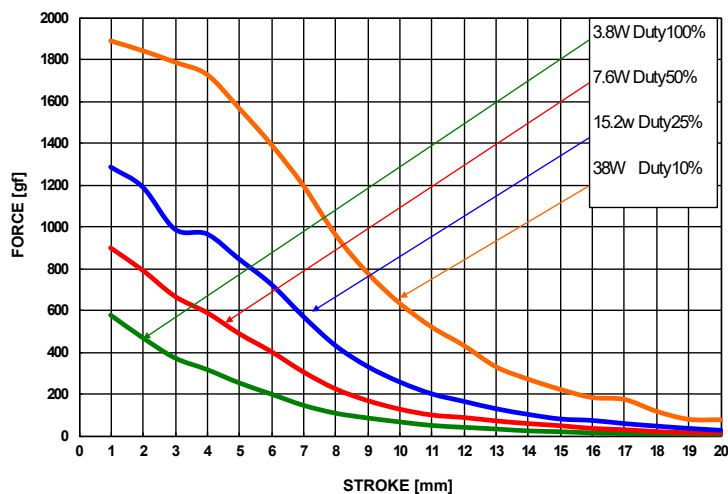
## SPRING DATA

Loading force @ 5mm compression	60 ± 5g
---------------------------------	---------

## PLUNGER PROFILE

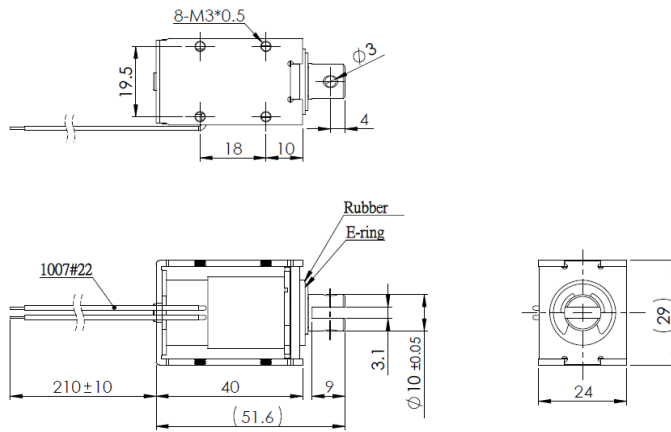


## DIAGRAM



# F1040L (pull type)

## DRAWING (mm)



## PHOTO



## MODEL NO. DESIGNATION

F1040L - VOLTAGE  
Example: F1040L-12V

SOLENOID DATA					
Duty cycle / ED (%) ▶	Continuous (100%)	Intermittent (50%)	Intermittent (25%)	Intermittent (10%)	
Watts @ 20°C ▶	4.2	8.4	16.8	42	
Maximum time in energized state (in seconds) ▶	∞	100	36	7	
Part ▼	Resistance (20°C) ± 10% (Ω) ▼	DC Volts (V) ▼			
F1040L-06V	9	6	8.5	12	19
F1040L-12V	34	12	17	24	38
F1040L-24V	137	24	34	48	76

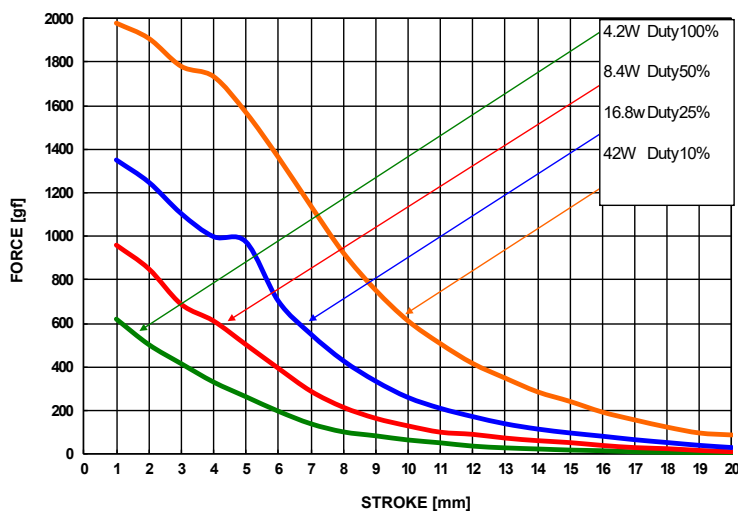
SOLENOID FEATURES AND STANDARD DATA		
	STANDARD	CUSTOMIZATION OPTIONS
Type	Pull type DC solenoid	Push type DC solenoid
Cable	Flying wire 230mm	Length, type and connector
Voltage	6 to 24 VDC @ 100% ED	Other voltages upon request
Life time	At least 500.000 single strokes	
Plunger material	Carbon steel 12L14	
Protection class	IP00	
Insulation grade	B	
Operating temperature	-5°C ... +40°C	
Manufacturing quality standards	ISO9001:2008, ISO/TS 16949:2002	
RoHS compliance	Yes	
CE approval	No	
UL approval	No	

ADDITIONAL DATA	
Return spring	Yes
Weight	122g

SPRING DATA	
Loading force @ 5mm compression	60 ± 5g

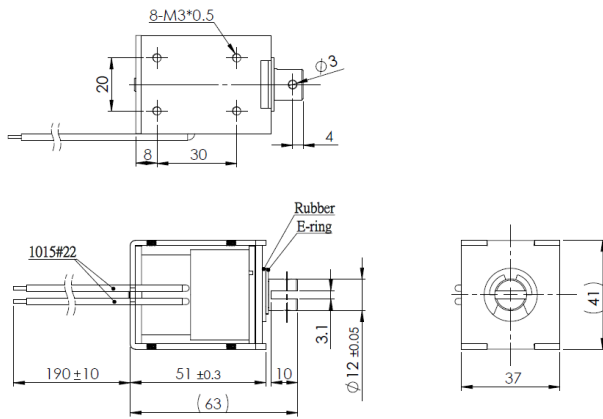


## DIAGRAM



# F1250L (pull type)

## DRAWING (mm)



## PHOTO



## MODEL NO. DESIGNATION

F1250L - VOLTAGE  
Example: F1250L-12V

SOLENOID DATA					
Duty cycle / ED (%) ▶		Continuous (100%)	Intermittent (50%)	Intermittent (25%)	Intermittent (10%)
Watts @ 20°C ▶		7.5	15	30	75
Maximum time in energized state (in seconds) ▶		∞	140	50	9
Part ▼	Resistance (20°C) ± 10% (Ω) ▼	DC Volts (V) ▼			
F1250L-06V	4.8	6	8.5	12	19
F1250L-12V	19.2	12	17	24	38
F1250L-24V	76.8	24	34	48	76

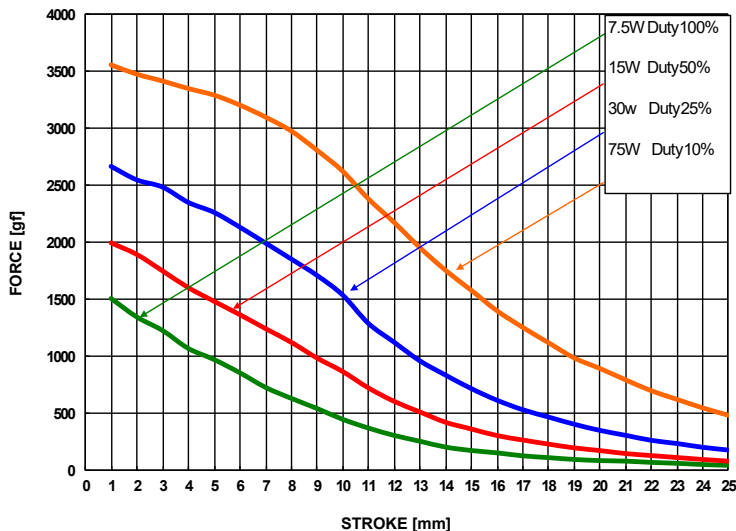
SOLENOID FEATURES AND STANDARD DATA		
	STANDARD	CUSTOMIZATION OPTIONS
Type	Pull type DC solenoid	Push type DC solenoid
Cable	Flying wire 230mm	Length, type and connector
Voltage	6 to 24 VDC @ 100% ED	Other voltages upon request
Life time	At least 500.000 single strokes	
Plunger material	Carbon steel 12L14	
Protection class	IP00	
Insulation grade	B	
Operating temperature	-5°C ... +40°C	
Manufacturing quality standards	ISO9001:2008, ISO/TS 16949:2002	
RoHS compliance	Yes	
CE approval	No	
UL approval	No	

ADDITIONAL DATA	
Return spring	Yes
Weight	315g

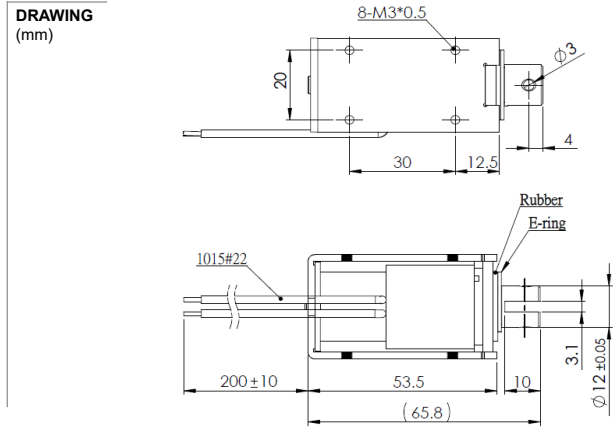
SPRING DATA	
Loading force @ 20mm compression	85 ± 10g



## DIAGRAM



# F1253L (pull type)



**MODEL NO. DESIGNATION**

F1253L - VOLTAGE  
 Example: F1253L-12V

SOLENOID DATA					
Duty cycle / ED (%) ▶	Continuous (100%)	Intermittent (50%)	Intermittent (25%)	Intermittent (10%)	
Watts @ 20°C ▶	6	12	24	60	
Maximum time in energized state (in seconds) ▶	∞	140	50	9	
Part ▼	Resistance (20°C) ± 10% (Ω) ▼	DC Volts (V) ▼			
F1253L-06V	6	6	8.5	12	19
F1253L-12V	24	12	17	24	38
F1253L-24V	96	24	34	48	76

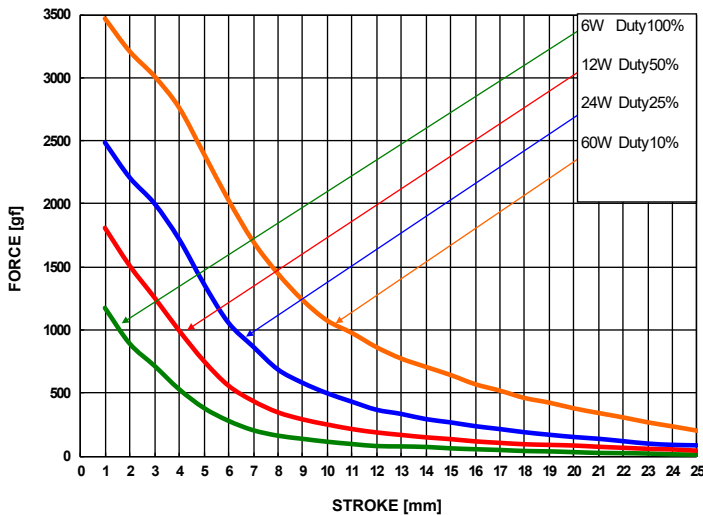
SOLENOID FEATURES AND STANDARD DATA		
	STANDARD	CUSTOMIZATION OPTIONS
Type	Pull type DC solenoid	Push type DC solenoid
Cable	Flying wire 230mm	Length, type and connector
Voltage	6 to 24 VDC @ 100% ED	Other voltages upon request
Life time	At least 500.000 single strokes	
Plunger material	Carbon steel 12L14	
Protection class	IP00	
Insulation grade	B	
Operating temperature	-5°C ... +40°C	
Manufacturing quality standards	ISO9001:2008, ISO/TS 16949:2002	
RoHS compliance	Yes	
CE approval	No	
UL approval	No	

ADDITIONAL DATA	
Return spring	Yes
Weight	205g

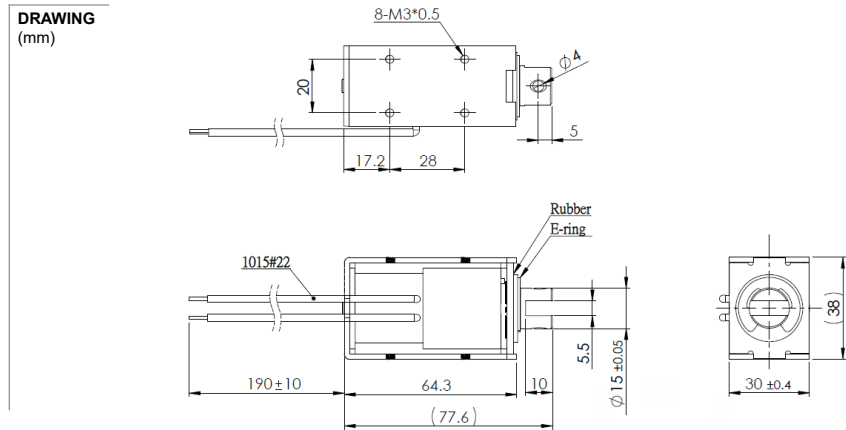
SPRING DATA	
Loading force @ 20mm compression	85 ± 10g



**DIAGRAM**



# F1564L (pull type)



**MODEL NO. DESIGNATION**

F1564L - VOLTAGE

Example: F1564L-12V

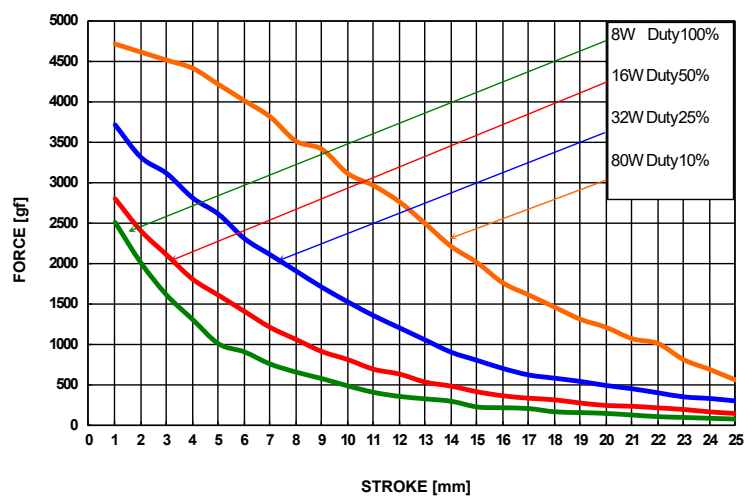
SOLENOID DATA				
<b>Duty cycle / ED (%) ▶</b>	Continuous (100%)	Intermittent (50%)	Intermittent (25%)	Intermittent (10%)
<b>Watts @ 20°C ▶</b>	8	16	32	80
<b>Maximum time in energized state (in seconds) ▶</b>	∞	140	50	9
<b>Part ▼</b>	<b>Resistance (20°C) ± 10% (Ω) ▼</b>	<b>DC Volts (V) ▼</b>		
F1564L-06V	4.5	6	8.5	12
F1564L-12V	18	12	17	24
F1564L-24V	72	24	34	48

SOLENOID FEATURES AND STANDARD DATA		
	STANDARD	CUSTOMIZATION OPTIONS
Type	Pull type DC solenoid	Push type DC solenoid
Cable	Flying wire 230mm	Length, type and connector
Voltage	6 to 24 VDC @ 100% ED	Other voltages upon request
Life time	At least 500.000 single strokes	
Plunger material	Carbon steel 12L14	
Protection class	IP00	
Insulation grade	B	
Operating temperature	-5°C ... +40°C	
Manufacturing quality standards	ISO9001:2008, ISO/TS 16949:2002	
RoHS compliance	Yes	
CE approval	No	
UL approval	No	

ADDITIONAL DATA	
Return spring	Yes
Weight	363g



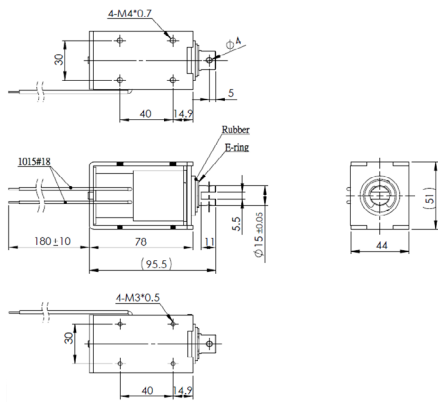
**DIAGRAM**





# F1578L (pull type)

## DRAWING (mm)



## PHOTO



## MODEL NO. DESIGNATION

F1578L - VOLTAGE  
Example: F1578L-12V

## SOLENOID DATA

Duty cycle / ED (%) ▶	Continuous (100%)	Intermittent (50%)	Intermittent (25%)	Intermittent (10%)
Watts @ 20°C ▶	13	26	52	130
Maximum time in energized state (in seconds) ▶	∞	160	80	32

Part ▼	Resistance (20°C) ± 10% (Ω) ▼	DC Volts (V) ▼			
F1578L-06V	4.5	6	8.5	12	19
F1578L-12V	18	12	17	24	38
F1578L-24V	72	24	34	48	76

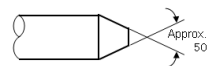
## SOLENOID FEATURES AND STANDARD DATA

	STANDARD	CUSTOMIZATION OPTIONS
Type	Pull type DC solenoid	Push type DC solenoid
Cable	Flying wire 230mm	Length, type and connector
Voltage	6 to 24 VDC @ 100% ED	Other voltages upon request
Life time	At least 500.000 single strokes	
Plunger material	Carbon steel 12L14	
Protection class	IP00	
Insulation grade	B	
Operating temperature	-5°C ... +40°C	
Manufacturing quality standards	ISO9001:2008, ISO/TS 16949:2002	
RoHS compliance	Yes	
CE approval	No	
UL approval	No	

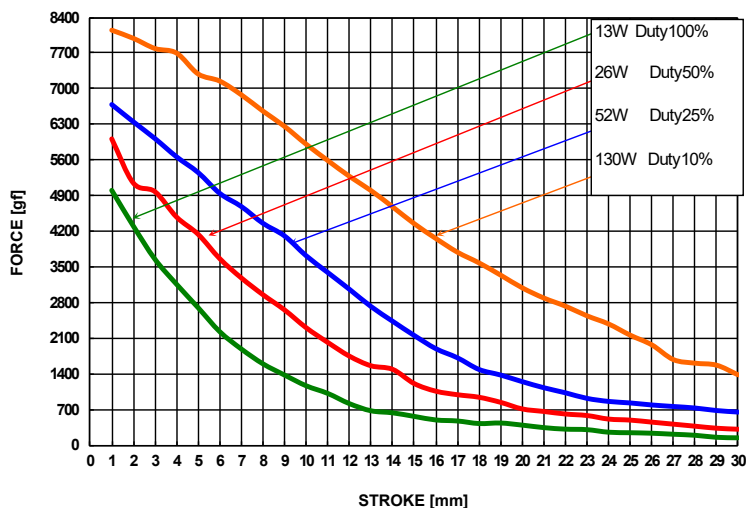
## ADDITIONAL DATA

Return spring	Yes
Weight	800g

## PLUNGER PROFILE

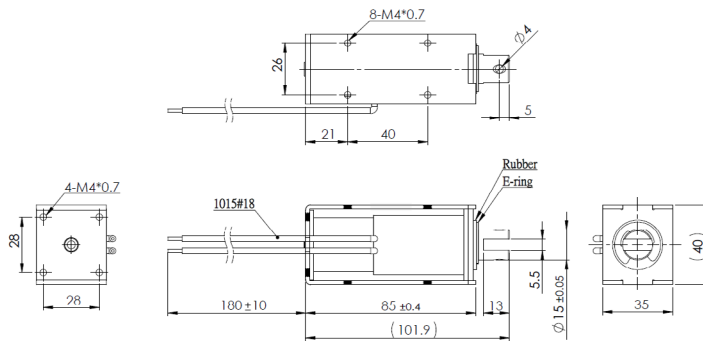


## DIAGRAM



# F1585L (pull type)

## DRAWING (mm)



## PHOTO



## MODEL NO. DESIGNATION

F1585L - VOLTAGE  
Example: F1585L-12V

## SOLENOID DATA

Duty cycle / ED (%) ▶	Continuous (100%)	Intermittent (50%)	Intermittent (25%)	Intermittent (10%)	
Watts @ 20°C ▶	12.7	25.4	50.8	127	
Maximum time in energized state (in seconds) ▶	∞	160	80	32	
Part ▼	Resistance (20°C) ± 10% (Ω) ▼	DC Volts (V) ▼			
F1585L-06V	2.8	6	8.5	12	19
F1585L-12V	11.3	12	17	24	38
F1585L-24V	45.3	24	34	48	76

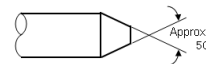
## SOLENOID FEATURES AND STANDARD DATA

	STANDARD	CUSTOMIZATION OPTIONS
Type	Pull type DC solenoid	Push type DC solenoid
Cable	Flying wire 230mm	Length, type and connector
Voltage	6 to 24 VDC @ 100% ED	Other voltages upon request
Life time	At least 500.000 single strokes	
Plunger material	Carbon steel 12L14	
Protection class	IP00	
Insulation grade	B	
Operating temperature	-5°C ... +40°C	
Manufacturing quality standards	ISO9001:2008, ISO/TS 16949:2002	
RoHS compliance	Yes	
CE approval	No	
UL approval	No	

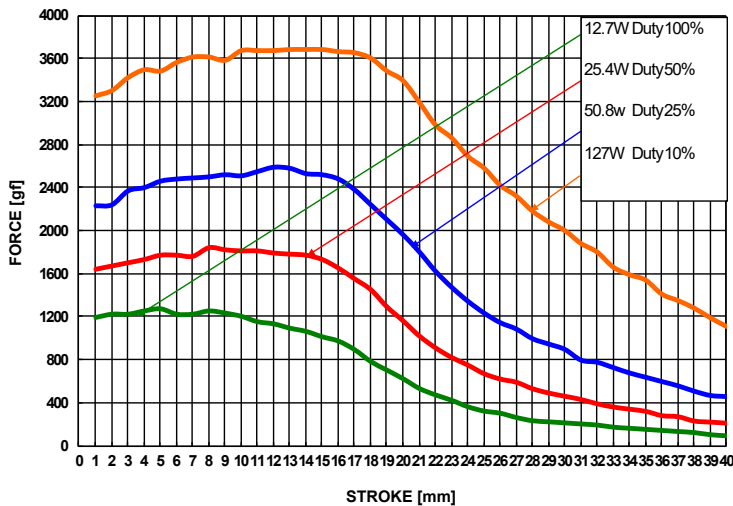
## ADDITIONAL DATA

Return spring	Yes
Weight	530g

## PLUNGER PROFILE

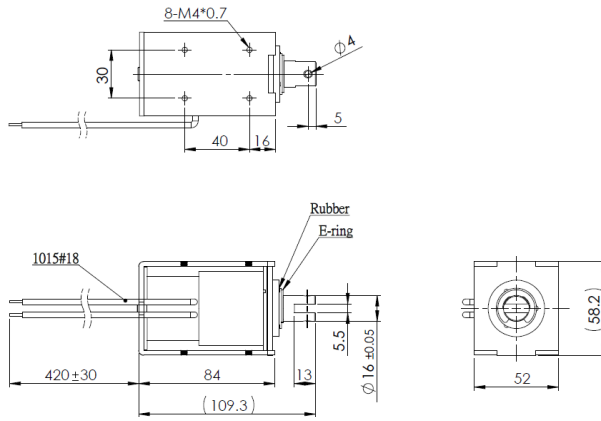


## DIAGRAM



# F1683L (pull type)

## DRAWING (mm)



## PHOTO



## MODEL NO. DESIGNATION

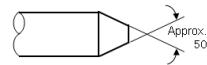
F1683L - VOLTAGE  
Example: F1683L-12V

SOLENOID DATA				
Duty cycle / ED (%) ▶	Continuous (100%)	Intermittent (50%)	Intermittent (25%)	Intermittent (10%)
Watts @ 20°C ▶	16	32	64	160
Maximum time in energized state (in seconds) ▶	∞	250	120	40
Part ▼	Resistance (20°C) ± 10% (Ω) ▼	DC Volts (V) ▼		
F1683L-06V	2.3	6	8.5	12
F1683L-12V	9	12	17	24
F1683L-24V	36	24	34	48

SOLENOID FEATURES AND STANDARD DATA		
	STANDARD	CUSTOMIZATION OPTIONS
Type	Pull type DC solenoid	Push type DC solenoid
Cable	Flying wire 230mm	Length, type and connector
Voltage	6 to 24 VDC @ 100% ED	Other voltages upon request
Life time	At least 500.000 single strokes	
Plunger material	Carbon steel 12L14	
Protection class	IP00	
Insulation grade	B	
Operating temperature	-5°C ... +40°C	
Manufacturing quality standards	ISO9001:2008, ISO/TS 16949:2002	
RoHS compliance	Yes	
CE approval	No	
UL approval	No	

ADDITIONAL DATA	
Return spring	Yes
Weight	1090g

## PLUNGER PROFILE



## DIAGRAM

