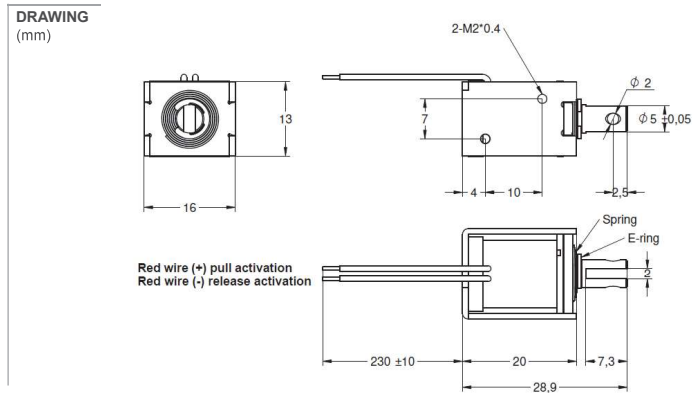


# K0520L (latching pull type)



**MODEL NO. DESIGNATION**

K0520L - VOLTAGE  
 Example: K0520L-12V

SOLENOID DATA					
Duty cycle / ED (%) ▶	Continuous (100%)	Intermittent (50%)	Intermittent (25%)	Intermittent (10%)	
Watts @ 20°C ▶	1.5	3	6	15	
Maximum time in energized state (in seconds) ▶	$\infty$	18	12	4	
Part ▼	Resistance (20°C) $\pm 10\%$ ( $\Omega$ ) ▼	DC Volts (V) ▼			
K0520L-06V	24	4.2	6	8.5	13.4
K0520L-12V	96	8.5	12	17	26.8
K0520L-24V	384	17	24	34	53.6

SOLENOID FEATURES AND STANDARD DATA		
	STANDARD	CUSTOMIZATION OPTIONS
Type	Pull type latching DC solenoid	Push type DC solenoid
Cable	Flying wire 230mm	Length, type and connector
Voltage	6 to 24 VDC @ 100% ED	Other voltages upon request
Life time	At least 500.000 single strokes	
Plunger material	Carbon steel 12L14	
Protection class	IP00	
Insulation grade	B	
Operating temperature	-5°C ... +40°C	
Manufacturing quality standards	ISO9001:2008, ISO/TS 16949:2002	
RoHS compliance	Yes	
CE approval	No	
UL approval	No	

ADDITIONAL DATA	
Holding force permanent magnet	200g
Weight	20g
Return spring	Yes

SPRING DATA	
Loading force @ 3mm compression	18g



**DIAGRAM**

